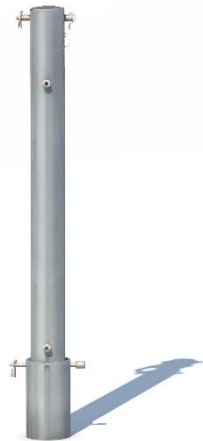


APPLICATION

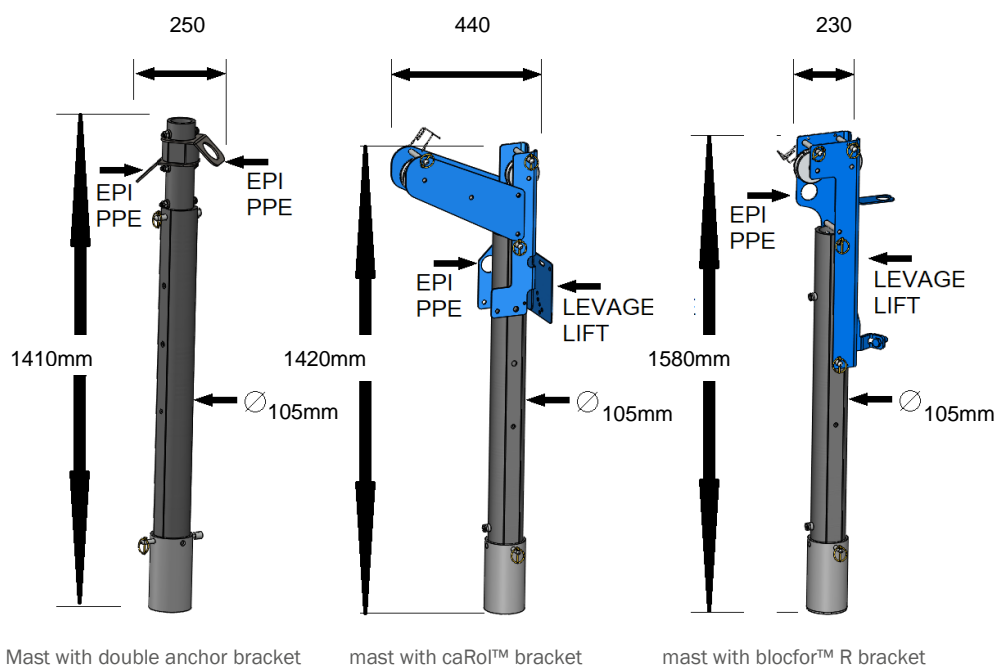
The new davimast anchor point is flexible. It can be used to secure two 150kg operators or lift a 250kg materia load. Its size favors its transport in small construction vehicles, it is easy to handle. The davimast anchor point is designed for operators accessing confined spaces, such as silos, sewers or terraces to create a high anchor point. The davimast mast is an interface between the davimast adapters and the davimast brackets. It cannot be used alone. There are 3 types of davimast bracket. the double PPE anchors bracket, the caRoI™ bracket for TS250M 20/30m, the PPE blocfor™ R 20/30m bracket.



DESCRIPTION

The davimast mast is made of aluminium with a PA 6 socket. It is equipped with a pin and clip pin connected to the mast by a steel cable

TECHNICAL CHARACTERISTIC



APPLICABLE STANDARD

The davimast mat is an interface that cannot be used alone

When installed on a permanent adapter davitrac or davimast and fitted with a bracket, it is compliant:

- With a caRoI™ bracket to
 - o EN 795-A:2012 permanent anchor point
 - o CEN/TS 16415:2013 anchor point up to 150kg
 - o 2006/42/CE directive machine lifting 250 kg
- With a blocfor™ bracket to
 - o EN 795-A:2012 permanent anchor point
 - o CEN/TS 16415:2013 anchor point up to 150kg
 - o EN 795-A:2012 1 anchor point for blocfor™ R
 - o EN1496-B:2017 rescue device
- With a double rotating anchor bracket 150kg to
 - o EN 795-A:2012: permanent anchor point
 - o CEN/TS 16415:2013 multiuser and anchor point up to 150kg

MAIN COMPONENTS

Code	description	EAN code	Weight Inc.packaging	Packaging size
210188	davimast base mast	3600232101888	9.9 kg	1200x150x150
Bracket				
293799	caRoI™ TS 250M with davimast bracket and 20m cable	3600232937999	29.4 kg	780x380x430
293809	caRoI™ TS 250M with davimast bracket and 30m cable	3600232938095	36.0 kg	780x380x430
84362	blocfor™ 20R ESD 150 galva with davimast bracket	3600230843629	21.5 kg	780x380x430
84372	blocfor™ 20R ESD 100 stainless steel with davimast bracket	3600230843728	21.3 kg	780x380x430
210198	double 360° rotating PPE anchors davimast bracket	3600232101987	4.8 kg	360x230x220
Addapter				
210108	Mounted floor adapter	3600232101086	12.7 kg	230x230x230
210118	Wall mounted adapter	3600232101185	13.7 kg	230x230x171
210128	Clearance mural adapter	3600232101284	18.7 kg	230x230x291
210138	Flush floor adapter	3600232101383	10.7 kg	230x230x232